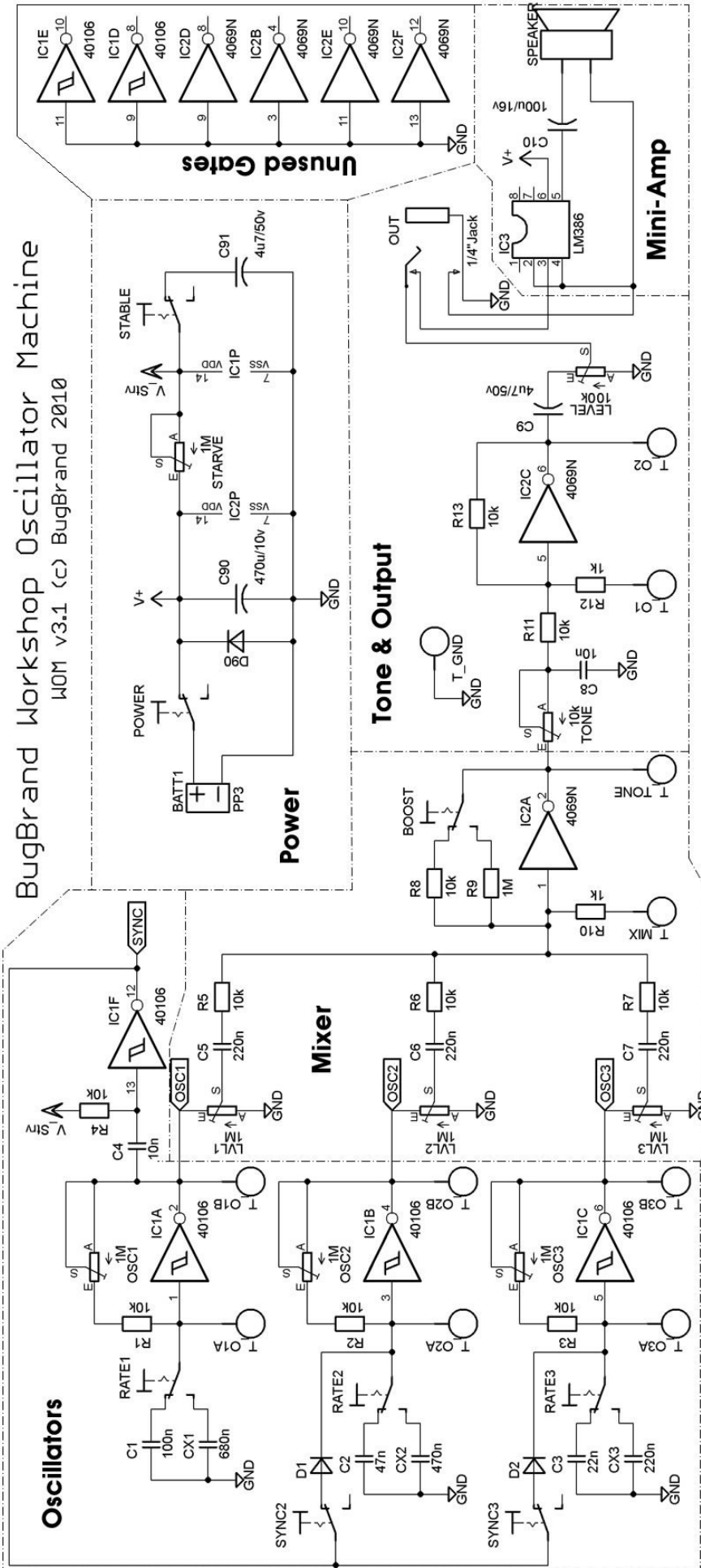


BugBrand WOM PRO – Extra Material (v3.1 October 2010)
1 – Schematic:

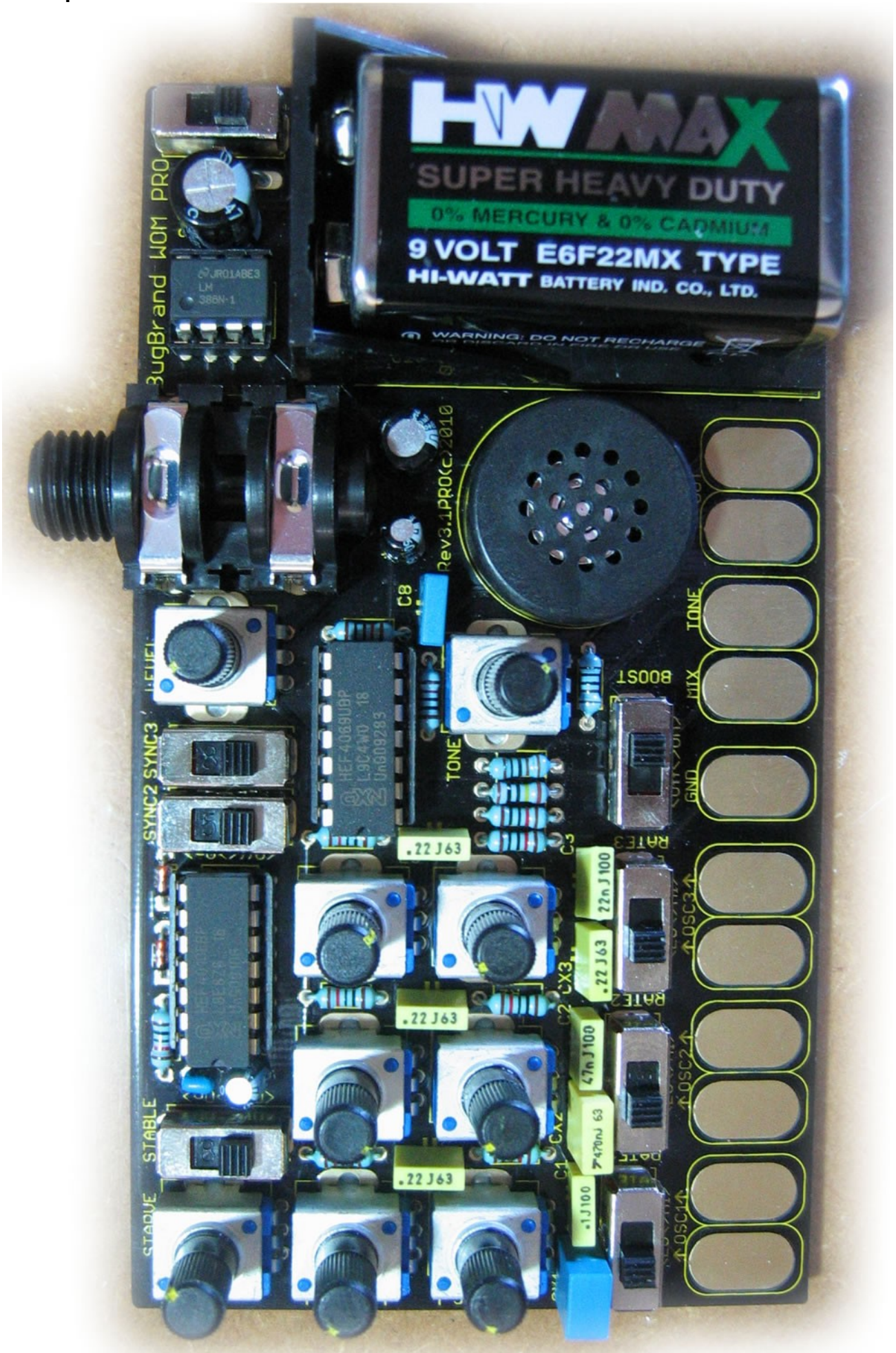


2 – Bill of Materials (BOM):

Shown in order of placement

Qty	Value	Device	Parts
2	1N4148	Silicon Diode	D1, D2
1	1M	Resistor 7.5mm	R9
2	1k	Resistor 7.5mm	R10, R12
10	10k	Resistor 7.5mm	R1, R2, R3, R4, R5, R6, R7, R8, R11, R13
1	1N4001	Power Diode	D90
1	DIL8	IC Holder 8pin	IC3
2	DIL14	IC Holder 14pin	IC1, IC2
1	10n	Dipped Ceramic Cap 2.5mm	C4
1	10n	PolyBox Cap 5mm	C8
1	22n	PolyBox Cap 5mm	C3
1	47n	PolyBox Cap 5mm	C2
1	100n	PolyBox Cap 5mm	C1
4	220n	PolyBox Cap 5mm	C5, C6, C7, CX3
1	470n	PolyBox Cap 5mm	CX2
1	680n	PolyBox Cap 5mm	CX1
2	4u7 / 50v	Electrolytic Cap 2.5mm	C9, C91
1	100u / 16v	Electrolytic Cap 2.5mm	C10
8		Mini Slide Switch SPDT	BOOST, POWER, RATE1, RATE2, RATE3, STABLE, SYNC2, SYNC3
1		Mini Speaker	SPEAKER
1	470u / 10v	Electrolytic Cap 2.5mm	C90
1	Jack	Jack Socket 1/4" Switching	OUT
1	10k B (Lin)	Mini Dial Potentiometer	TONE
1	100k A (Log)	Mini Dial Potentiometer	LEVEL
7	1M B (Lin)	Mini Dial Potentiometer	LVL1, LVL2, LVL3, OSC1, OSC2, OSC3, STARVE
1	Holder	Battery Clip PCB Mount	BATT1 + mounting screw
1	4069N	Phillips HEF4069N	IC2
1	40106	Phillips HEF40106N	IC1
1	LM386	DIL8	IC3
4		Rubber Feet	
9		Dial SpindleTurns	
1	PP3	Battery	

3 – Completed Board:



4 – Parts Placement:

