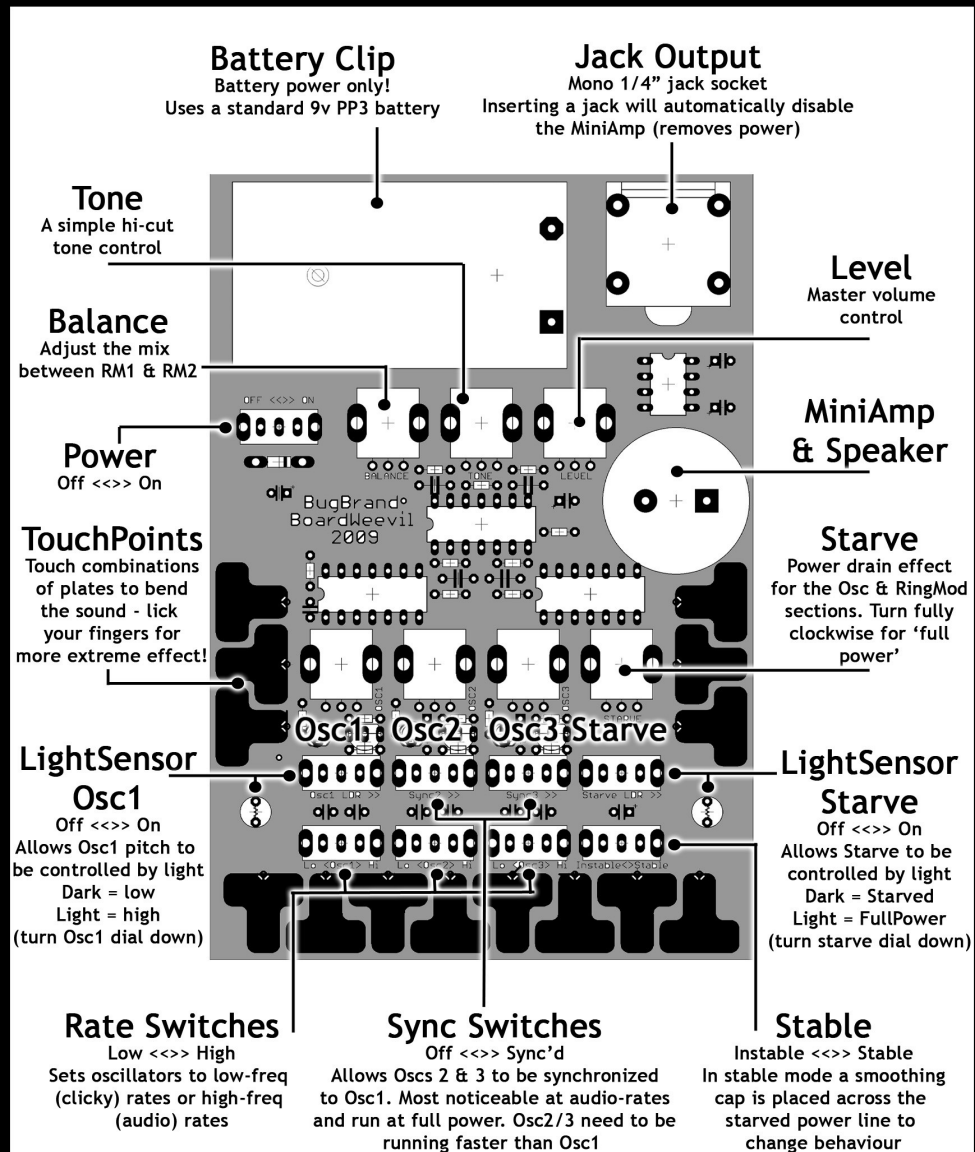


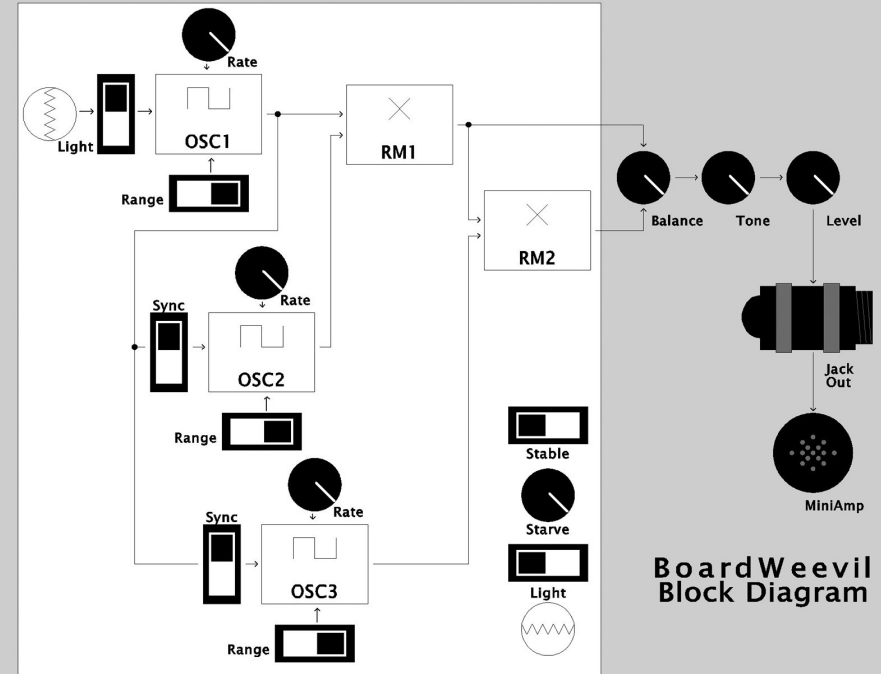
# BugBrand BoardWeevil



**BUGBRAND**



1.2.9



The best way to learn is to experiment!

You may find it easiest to begin with the two Light Sensors and two Sync Switches all switched to OFF, before exploring these functions.

Note that when using the MiniAmp, the resulting sounds can depend on how loud you run things (due to power usage of the MiniAmp). This also affects the battery life - running on full volume with the MiniAmp will drain the batteries more quickly than for lower volumes. This is not the case when using the Jack Output - power drain is always pretty low no matter what volume.

In storage / transport avoid metal objects coming into contact with the back of the board as short circuiting of the battery may occur (causing power drain and heating of battery). If in doubt, remove the battery.

The BoardWeevil is covered by a one year parts warranty - excluding maltreatment or modification. You can email [tom@bugbrand.co.uk](mailto:tom@bugbrand.co.uk) with any questions.

Batch:

[www.bugbrand.co.uk](http://www.bugbrand.co.uk)