

PCB layout by BugBrand For the Thomas Henry XR2206 VCO

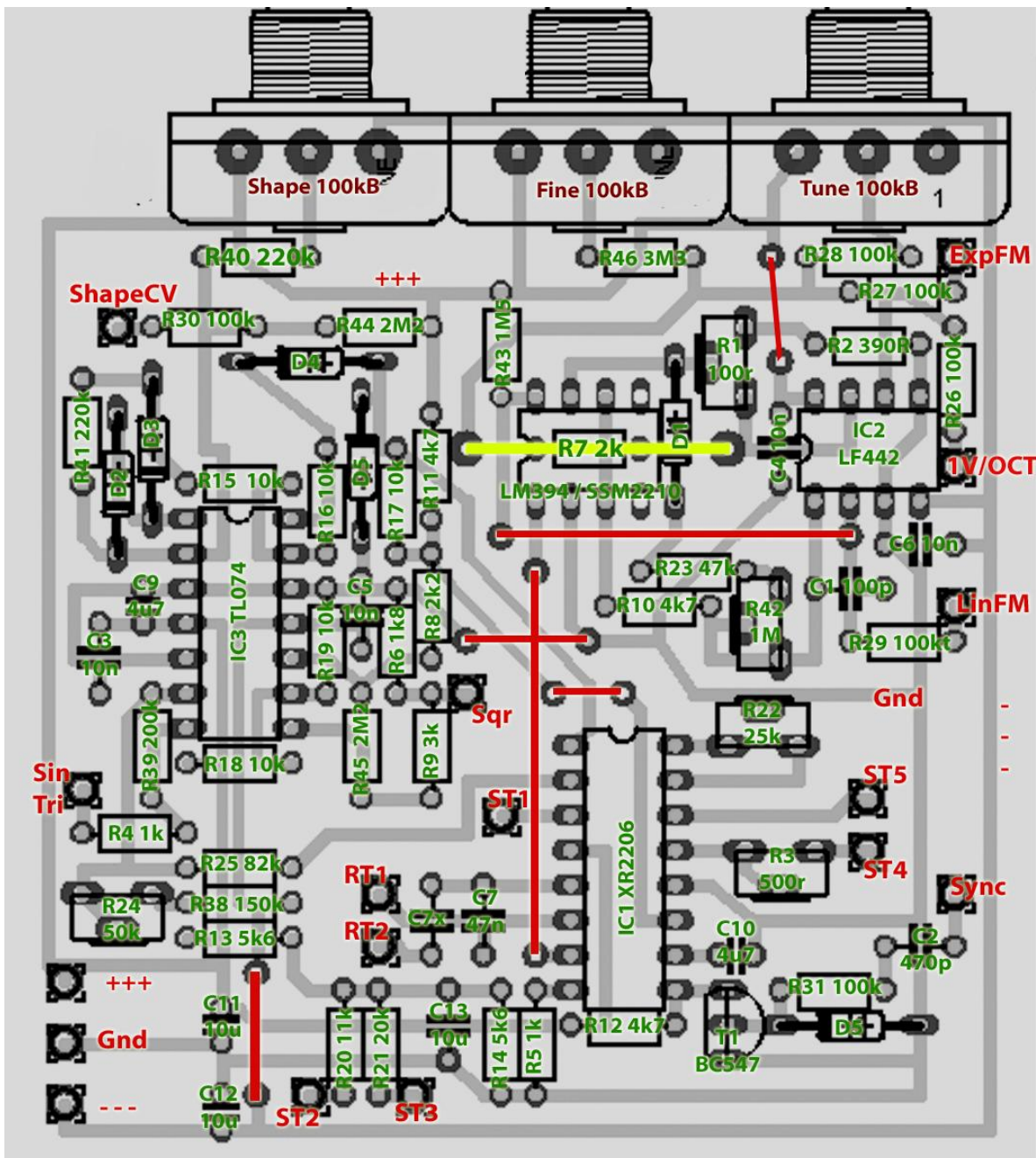
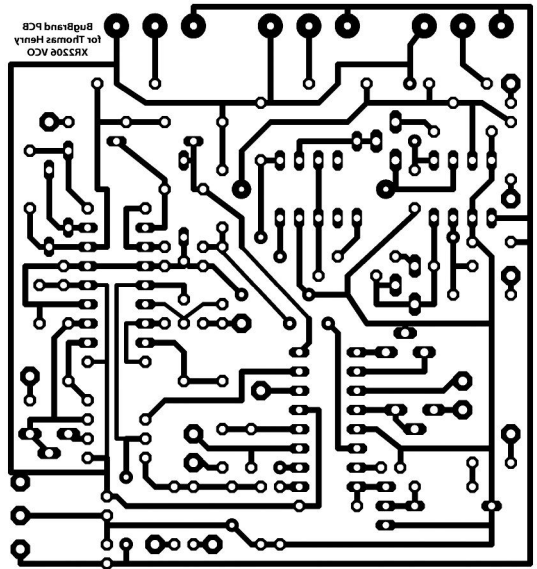
<http://mypeoplepc.com/members/scottnoanh/birthofasynth/id20.html>

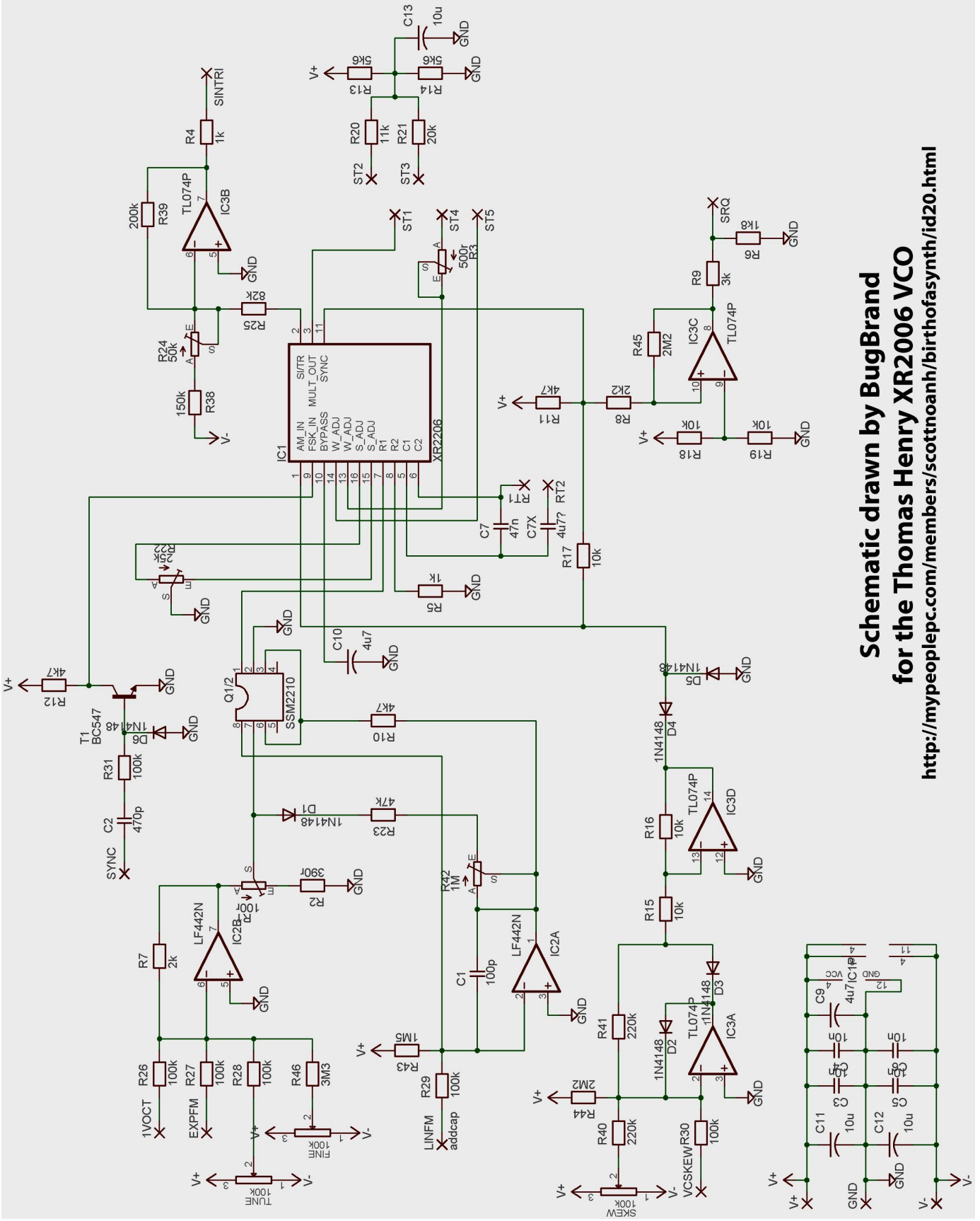
Sorry there are so many jumper wires (and note that two cross) but that seemed necessary to get the PCB compact.

Parts should correspond with the original Thomas Henry Schematic – extra pads added for C7x to allow switchable VCLFO option - the Tune / Fine / Shape pots can be mounted on the board (the size used is for 16mm pots) if required. Other pots are off board.

If you spot any errors then please email tom at bugbrand.co.uk

V1 22/9/06





**Schematic drawn by BugBrand
for the Thomas Henry XR2006 VCO**
<http://mypeoplepc.com/members/scottnoanh/birthofasynth/id20.html>